

**FEATURES**

- ▶ Fully Encapsulated Plastic Case for Chassis and DIN-Rail Mounting Version
- ▶ 80-160VDC Wide Input Voltage Range
- ▶ Fully Regulated Output Voltage
- ▶ High Efficiency up to 89%
- ▶ I/O Isolation 3000VAC with Reinforced Insulation
- ▶ Operating Ambient Temp. Range -40°C to +90.5°C
- ▶ No Min. Load Requirement
- ▶ Under-voltage, Overload/Voltage and Short Circuit Protection
- ▶ Remote On/Off Control
- ▶ EMI Emission EN 55032 Class A & FCC Level A Approved
- ▶ EMC Immunity EN 61000-4-2,3,4,5,6,8 Approved
- ▶ UL/cUL/IEC/EN 62368-1 Safety Approval & CE Marking

**NEW**

**PRODUCT OVERVIEW**

The MINMAX MRA60C series is the latest generation of 60Watt isolated DC-DC power module with wide input range of 80-160VDC with 9 models for 5/5.1/12/15/24/48/±12/±15/±24VDC tightly output voltage in a chassis and DIN-Rail mounting type with terminal strip connections which specifically design for electricity and renewable energy field applications. Key performance featuring high I/O isolation 3000VAC with reinforced insulation, high efficiency for wide operating ambient temp. range -40°C to +90.5°C, no min. load requirement, very low no-load power consumption, remote on/off, build-in EMC filter for EMI emission EN 55032 Class A and EMC immunity EN 61000-4-2,3,4,5,6,8 approved, build-in fault condition protection include under-voltage, overload, over voltage and short circuit protection.

The MRA60C series has been intensely qualified to safety approval UL/cUL/IEC/EN 62368-1 with CB report and CE marking which offer a solution for the applications where high voltage input range, high efficiency for wide operating ambient temp. range, isolated power with high I/O isolation & insulation level, fully encapsulated package and eliminate the power board are required.

**Model Selection Guide**

Model Number	Input Voltage (Range)	Output Voltage	Output Current Max.	Input Current		Over Voltage Protection	Max. capacitive Load	Efficiency (typ.)
				@ Max. Load	@ No Load			@Max. Load
	VDC	VDC	mA	mA(typ.)	mA(typ.)	VDC	µF	%
MRA60-110S05C	110 (80 ~ 160)	5	12000	620	10	6.2	20400	88
MRA60-110S051C		5.1	12000	632		6.2	20400	88
MRA60-110S12C		12	5000	613		15	3540	89
MRA60-110S15C		15	4000	613		18	2200	89
MRA60-110S24C		24	2500	620		30	890	88
MRA60-110S48C		48	1250	620		60	220	88
MRA60-110D12C		±12	±2500	620		±15	1800#	88
MRA60-110D15C		±15	±2000	620		±18	1200#	88
MRA60-110D24C		±24	±1250	620		±30	470#	88

# For each output

**Input Specifications**

Parameter	Conditions / Model	Min.	Typ.	Max.	Unit
Input Surge Voltage (100 ms max.)		-0.7	---	170	VDC
Start-Up Threshold Voltage		---	---	80	
Under Voltage Shutdown		65	78	---	
Start Up Time (Power On)	Nominal Vin and Constant Resistive Load	---	30	60	ms
Input Filter	All Models	Internal Pi Type			

Remote On/Off Control					
Parameter	Conditions	Min.	Typ.	Max.	Unit
Converter On	3.5V ~ 12V or Open Circuit				
Converter Off	0V ~ 1.2V or Short Circuit				
Control Input Current (On)	Vctrl = 5.0V	---	---	0.5	mA
Control Input Current (Off)	Vctrl = 0V	---	---	-0.5	mA
Control Common	Referenced to Negative Input				
Standby Input Current	Nominal Vin	---	3	---	mA

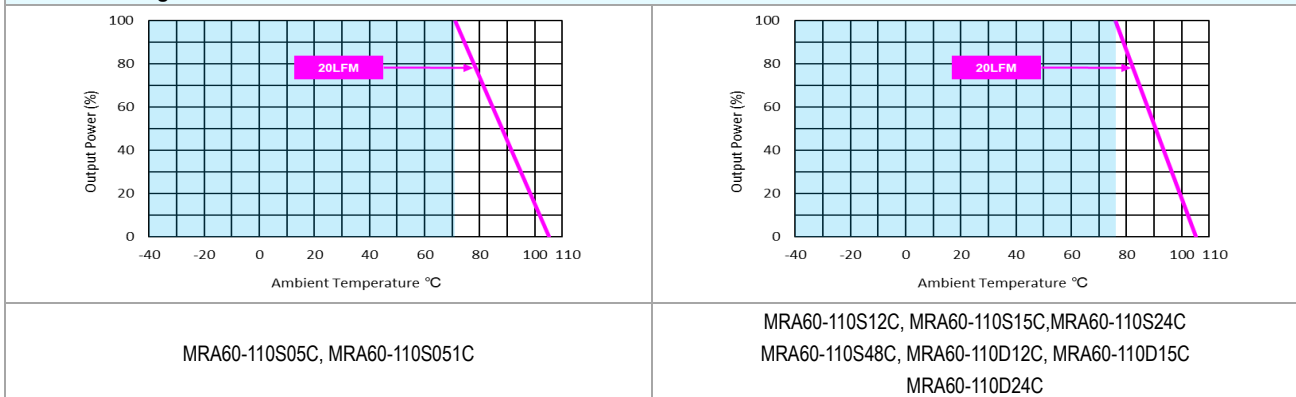
Output Specifications						
Parameter	Conditions/Model	Min.	Typ.	Max.	Unit	
Output Voltage Setting Accuracy		---	±1.0	±2.0	%Vnom.	
Output Voltage Balance	Dual Output, Balanced Loads	---	---	±2.0	%	
Line Regulation	Vin=Min. to Max. @Full Load	---	±0.2	±1.0	%	
Load Regulation	Io=0% to 100%	---	±0.5	±1.0	%	
Load Cross Regulation (Dual Output Models)	Asymmetrical Load 25/100% Full Load	---	---	±5.0	%	
Minimum Load	No minimum Load Requirement					
Ripple & Noise	0-20MHz bandwidth	5V & 5.1V Output Models	---	---	100	mV <sub>P-P</sub>
		±24V & 48V Output Models	---	---	200	mV <sub>P-P</sub>
		Other Output Models	---	---	150	mV <sub>P-P</sub>
Transient Recovery Time	25% Load Step Change <sub>(2)</sub>	---	250	---	μsec	
Transient Response Deviation		---	±3	±5	%	
Temperature Coefficient		---	±0.02	---	%/°C	
Over Load Protection	Hiccup	---	150	180	%	
Short Circuit Protection	Continuous, Automatic Recovery (Hiccup Mode 0.3Hz typ.)					

General Specifications					
Parameter	Conditions	Min.	Typ.	Max.	Unit
I/O Isolation Voltage	60 Seconds Reinforced insulation, rated for 1000Vrms working voltage	3000	---	---	VACrms
I/O Isolation Resistance	500 VDC	1000	---	---	MΩ
I/O Isolation Capacitance	100kHz, 1V	---	---	3000	pF
Switching Frequency	5V & 5.1V Output Models	160	180	200	kHz
	Other Output Models	187	220	253	kHz
MTBF (calculated)	MIL-HDBK-217F@25°C, Ground Benign	217,826	---	---	Hours
Safety Approvals	UL/cUL 62368-1 recognition(UL certificate), IEC/EN 62368-1 & 60950-1(CB report)				

EMC Specifications				
Parameter	Standards & Level			Performance
EMI	Conduction	EN 55032, FCC part 15	Without external components	Class A
	Radiation			
EMS	EN 55024			
	ESD	Direct discharge	Indirect discharge HCP & VCP	
		EN 61000-4-2 Air ± 8kV	Contact ±6kV	
	Radiated immunity	EN 61000-4-3 10V/m		
	Fast transient	EN 61000-4-4 ±2kV		
	Surge	EN 61000-4-5 ±2kV		
	Conducted immunity	EN 61000-4-6 10Vrms		
PFMF	EN 61000-4-8 100A/m			

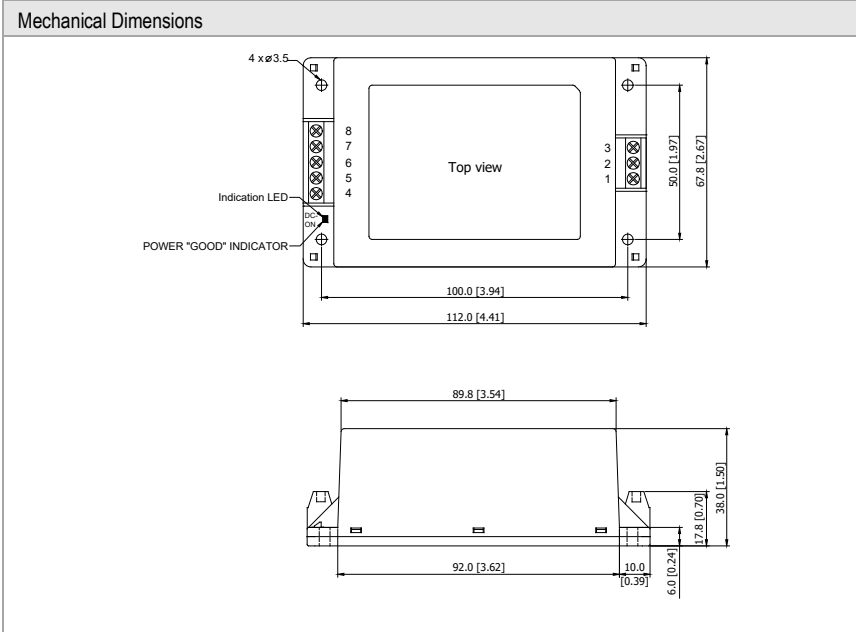
**Environmental Specifications**

Parameter	Model	Min.	Max.	Unit
Operating Temperature Range Nominal Vin, Load 100% Inom. (for Power Derating see relative Derating Curves)	MRA60-110S05C, MRA60-110S051C		+71	°C
	MRA60-110S12C, MRA60-110S15C, MRA60-110S24C MRA60-110S48C, MRA60-110D12C, MRA60-110D15C MRA60-110D24C	-40	+76	
Case Temperature		---	+105	°C
Storage Temperature Range		-50	+125	°C
Humidity (non condensing)		---	95	% rel. H

**Power Derating Curve**

**Notes**

- 1 Specifications typical at Ta=+25°C, resistive load, nominal input voltage and rated output current unless otherwise noted.
- 2 Transient recovery time is measured to within 1% error band for a step change in output load of 75% to 100%.
- 3 We recommend to protect the converter by a slow blow fuse in the input supply line.
- 4 Other input and output voltage may be available, please contact factory.
- 5 Specifications are subject to change without notice.

**Package Specifications Chassis Mounting**



**Connections**

Pin	Single Output	Dual Output
1	Remote On/Off	Remote On/Off
2	-Vin	-Vin
3	+Vin	+Vin
4	NC	+Vout
5	+Vout	NC
6	NC	Common
7	-Vout	NC
8	NC	-Vout

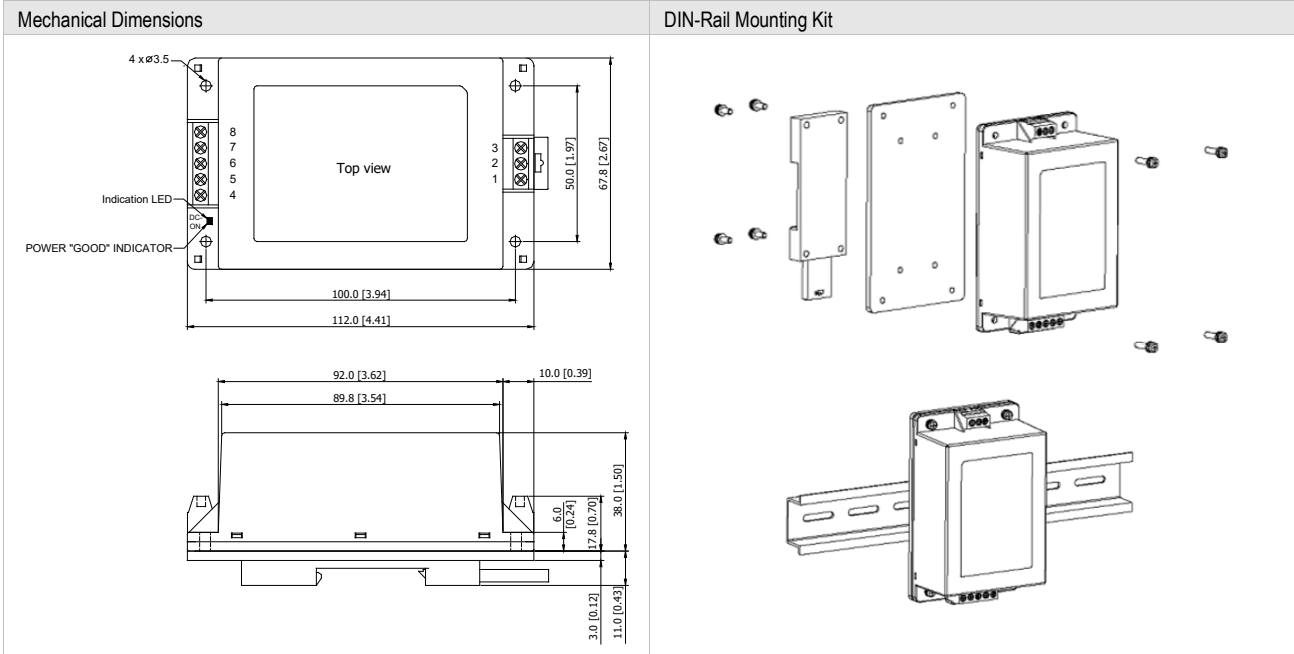
NC: No Connection

- ▶ All dimensions in mm (inches)
- ▶ Tolerance:  $\pm 0.5$  ( $\pm 0.02$ )

**Physical Characteristics**

Case Size : 112.0x67.8x38.0mm (4.41x2.67x1.50 inches)  
 Case Material : Plastic resin (flammability to UL 94V-0 rated)  
 Weight : 300g

**Package Specifications with DIN Rail Mounting Bracket (order code AC-DIN-02)**



**Physical Characteristics**

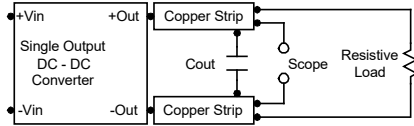
Case Size : 112.0x67.8x38.0mm (4.41x2.67x1.50 inches)  
 Case Material : Plastic resin (flammability to UL 94V-0 rated)  
 Weight : 353g

Order Code Table		
Standard	With DIN Rail Mounting by two Order Code	
MRA60-110S05C	MRA60-110S05C	AC-DIN-02
MRA60-110S051C	MRA60-110S051C	AC-DIN-02
MRA60-110S12C	MRA60-110S12C	AC-DIN-02
MRA60-110S15C	MRA60-110S15C	AC-DIN-02
MRA60-110S24C	MRA60-110S24C	AC-DIN-02
MRA60-110S48C	MRA60-110S48C	AC-DIN-02
MRA60-110D12C	MRA60-110D12C	AC-DIN-02
MRA60-110D15C	MRA60-110D15C	AC-DIN-02
MRA60-110D24C	MRA60-110D24C	AC-DIN-02

## Test Setup

### Peak-to-Peak Output Noise Measurement Test

Scope measurement should be made by using a BNC socket, measurement bandwidth is 0-20 MHz. Position the load between 50 mm and 75 mm from the DC-DC Converter.



## Technical Notes

### Remote On/Off

Positive logic remote on/off turns the module on during a logic high voltage on the remote on/off pin, and off during a logic low. To turn the power module on and off, the user must supply a switch to control the voltage between the on/off terminal and the -Vin terminal. The switch can be an open collector or equivalent. A logic low is 0V to 1.2V. A logic high is 3.5V to 12V. The maximum sink current at the on/off terminal (Pin 1) during a logic low is -100 $\mu$ A.

### Overload Protection

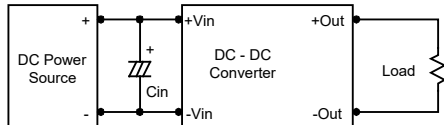
To provide hiccup mode protection in a fault (output overload) condition, the unit is equipped with internal current limiting circuitry and can endure overload for an unlimited duration.

### Overvoltage Protection

The output overvoltage clamp consists of control circuitry, which is independent of the primary regulation loop, that monitors the voltage on the output terminals. The control loop of the clamp has a higher voltage set point than the primary loop. This provides a redundant voltage control that reduces the risk of output overvoltage. The OVP level can be found in the output data.

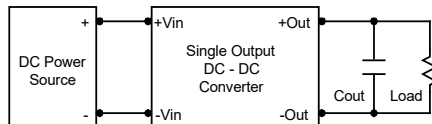
### Input Source Impedance

The power module should be connected to a low ac-impedance input source. Highly inductive source impedances can affect the stability of the power module. In applications where power is supplied over long lines and output loading is high, it may be necessary to use a capacitor at the input to ensure startup. Capacitor mounted close to the power module helps ensure stability of the unit, it is recommended to use a good quality low Equivalent Series Resistance (ESR < 1.0 $\Omega$  at 100 kHz) capacitor of a 10 $\mu$ F for the 110V devices.



### Output Ripple Reduction

A good quality low ESR capacitor placed as close as practicable across the load will give the best ripple and noise performance. To reduce output ripple, it is recommended to use 4.7 $\mu$ F capacitors at the output.



### Maximum Capacitive Load

The MRA60C series has limitation of maximum connected capacitance at the output. The power module may be operated in current limiting mode during start-up, affecting the ramp-up and the startup time. The maximum capacitance can be found in the data sheet.

### Thermal Considerations

Many conditions affect the thermal performance of the power module, such as orientation, airflow over the module and board spacing. To avoid exceeding the maximum temperature rating of the components inside the power module, the case temperature must be kept below 95°C. The derating curves are determined from measurements obtained in a test setup.

